

HYPER GPX4

1/10 GAS POWERED 4WD TOURING CAR
Setup Sheet / Setup Blatt / Feuille de r glage

Date / /

Driver

Track

| | | | | | |
|-----------|--|---------|--------------------------|--|--|
| Engine | Gasket | mm | Plug | Muffler | Fuel |
| Diff Type | Front: <input type="checkbox"/> One Way <input type="checkbox"/> Gear Diff | | Oil # | Rear: <input type="checkbox"/> <input type="checkbox"/> Gear Diff <input type="checkbox"/> Oil # | |
| Gear | 1st/2nd Pinion Gear: T / T | | 1st/2nd Spur Gear: T / T | | Middle Pulley: <input type="checkbox"/> 24T <input type="checkbox"/> T |
| Clutch | Shoes: | Spring: | Clearance: mm | Adj.Nut: mm | Body |

Front Suspension

Tyre Type

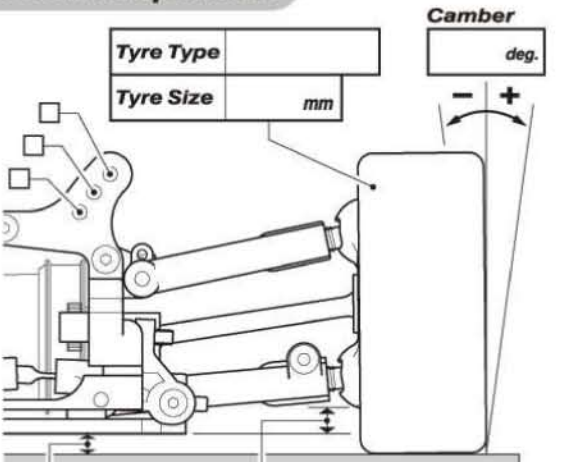
Tyre Size mm

Camber deg.

- +

Front Toe angle deg.

- +



Ride Height mm

Rebound Stop mm

Bump Stop mm

Caster angle mm

Front Width mm

Anti-roll bar

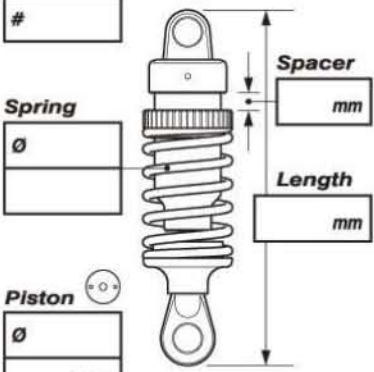
90° 45° 90° 45° 90° 45°

Front Shock

Oil #

Spring Ø

Piston Ø holes



Spacer mm

Length mm

Rear Suspension

Tyre Type

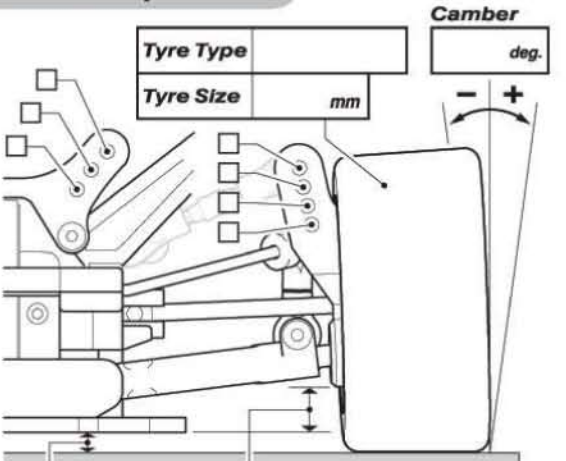
Tyre Size mm

Camber deg.

- +

Rear Toe angle deg.

- +



Ride Height mm

Rebound Stop mm

Bump Stop mm

Rear Width mm

Anti-roll bar

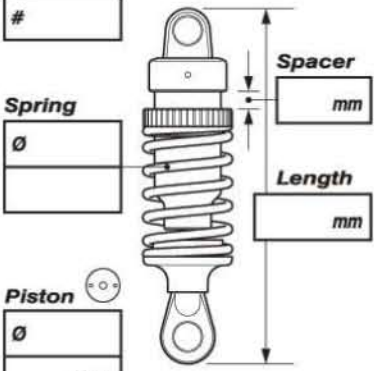
mm 2.3 mm

Rear Shock

Oil #

Spring Ø

Piston Ø holes



Spacer mm

Length mm

Notes

| Resul | Position | Laps | Time | Fastest Lap |
|-----------|----------|------|------|-------------|
| Run | | | | lap |
| Qualifier | | | | lap |
| | | | | lap |
| | | | | lap |
| Main # | | | | lap |